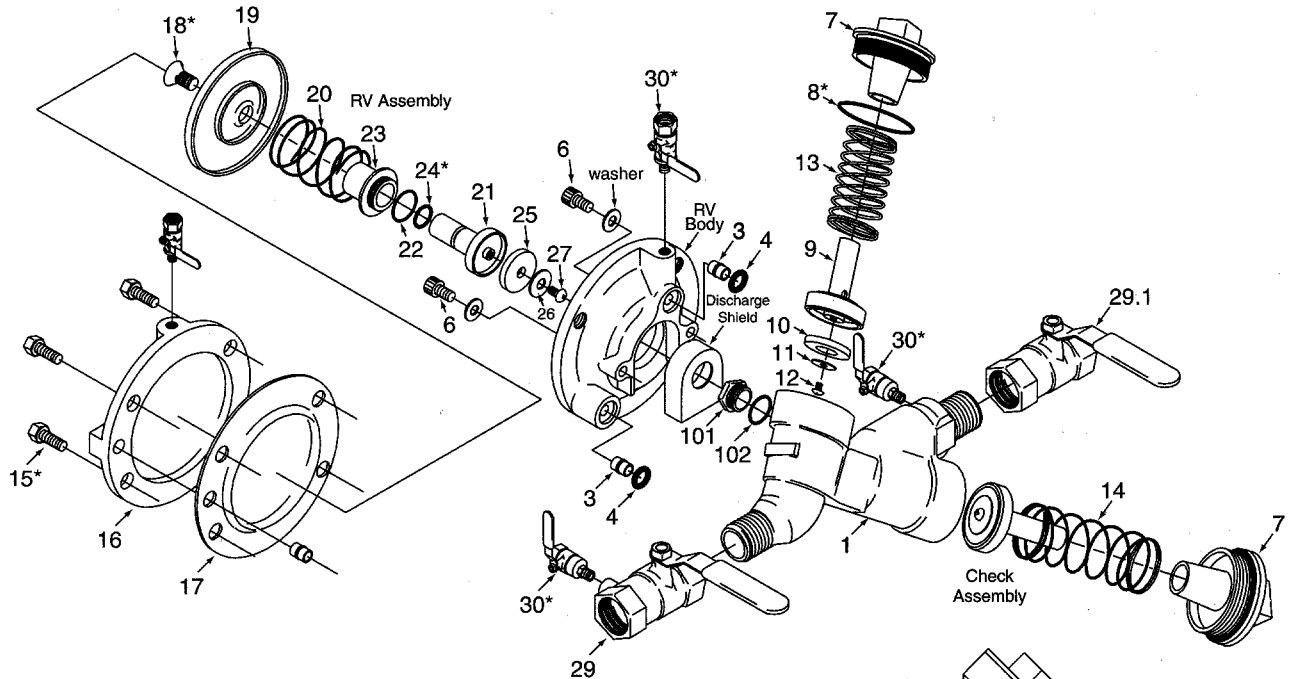


Model 825Y, 845 and 825YA (3/4" - 2")

Figure No. 11



* Denotes Commercial Parts Available (see page 34).
 Unit is shown with ball valve shut-offs.
 Some parts are sold in kits only. Consult Parts Price List for specifics.

Model 825YA Figure No. 12

